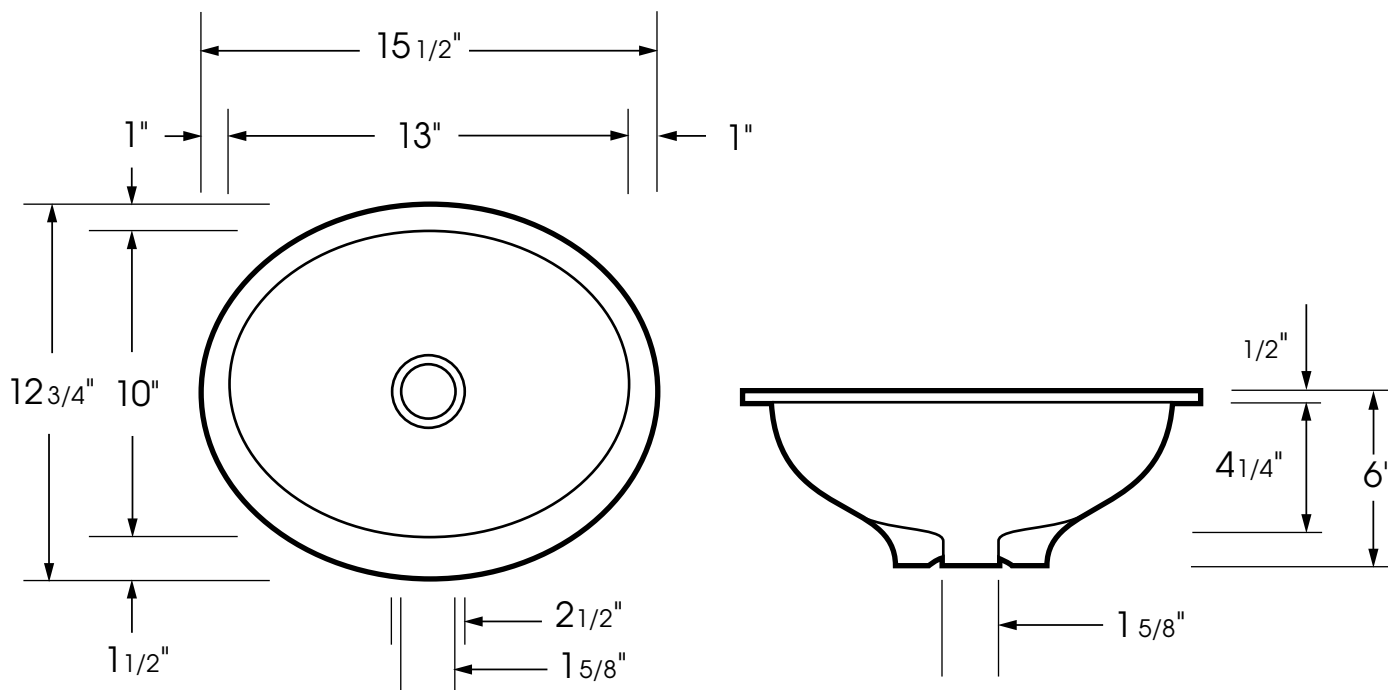


**P1013 - TERI  
IN PORCELAIN**



**P1013 - TERI  
IN PORCELAIN**

**DIMENSIONS:**

Outside: 12 3/4" by 15 1/2"  
 Inside: 10" by 13"  
 Inside Depth: 4 3/4"  
 Without Overflow

**IMPORTANT:**

We recommend you wait for basin before making your counter top cut-out. All dimensions are approximate.



Teri

**OPTIONS:**

	Yes	No
Self-rimming	X	
Under Counter		X

**RECOMMENDED PLUMBING FITTINGS:**

- D3000 - 1 1/4" 2 Pc with stopper
- D3500 - 1 1/4" Pop-up Assembly
- D4500 - 1 1/4" Grid Strainer w/out overflow
- D5500 - 1 1/4" Lift & Turn w/out overflow
- D6500 - 1 1/4" Flip & Turn w/out overflow

**PATTERNS:**

Plain Bowl / Without Overflow



AND BATES

[www.batesandbates.com](http://www.batesandbates.com)

**P1  
TERI**