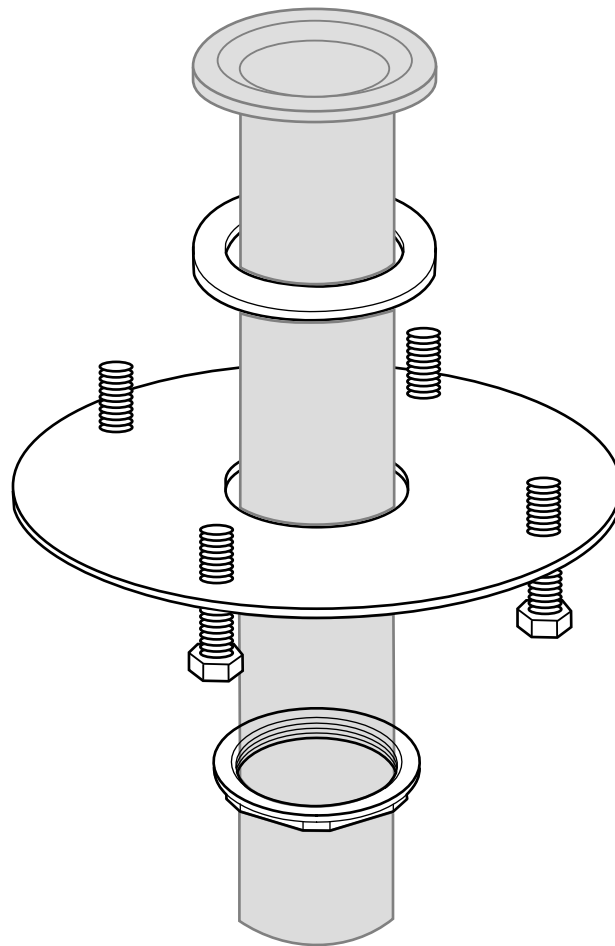


D9900

MOUNTING PLATE

Model: D9900
On top of the counter
mounting plate



Washer, Rubber/Black

**Mounting Plate
(with four adjusting bolts)**

Adjusting Bolt

Drain Nut

This plate is designed to work with our; D3500, D3600, D4000, D4500, D5000, D5500, D6000, and D6500 drain assemblies. This mounting plate may or may not work with other drain assemblies.

Cut a 2 1/2" - 3 1/2" opening in countertop to allow for drain assembly. Check sink collar underneath the sink to assure proper seating with the countertop.

The mounting plate should be placed above drain nut and below the sealing washer, (see diagram).

The drain tailpiece with mounting plate must be fed into sink from under the counter. This may require two people.

The mounting plate is held in position when the drain nut is tightened. Use the adjusting bolts to secure bowl to countertop.

BATES
AND BATES
The Problem Solvers

7310 Alondra Boulevard • Paramount, California 90712

(562) 808-2290 • (800) 726-7680 • Fax: (562) 808-2289

www.batesandbates.com • Email: website@batesandbates.com

Distributed by B.&B. Sales & Imports, Inc.