

# "Creations"

by ALNO, INC.

## GANG KIT INSTRUCTION SHEET

MODEL MC4250

This kit is designed to help you gang together two medicine cabinets.

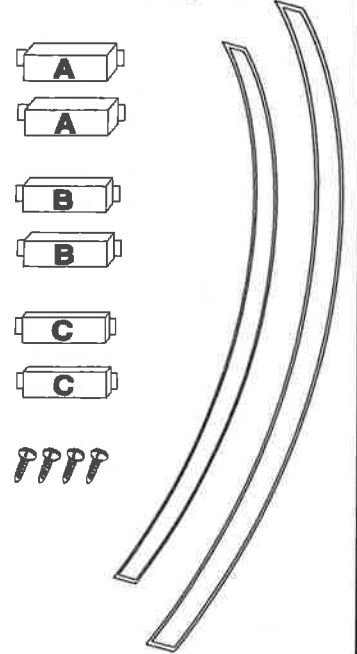
Additional cabinets require additional gang kits.  
Surface mount applications require surface mount kits.

Recessed applications will require use of this instruction sheet along with the instruction sheet provided with your cabinets.

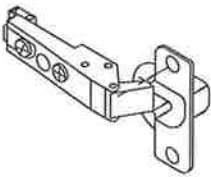
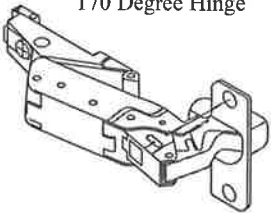

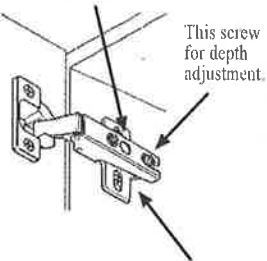
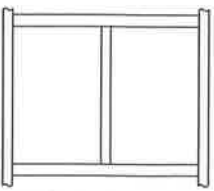
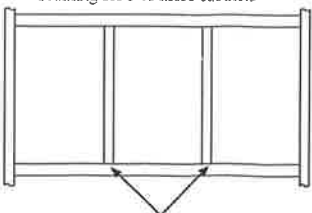
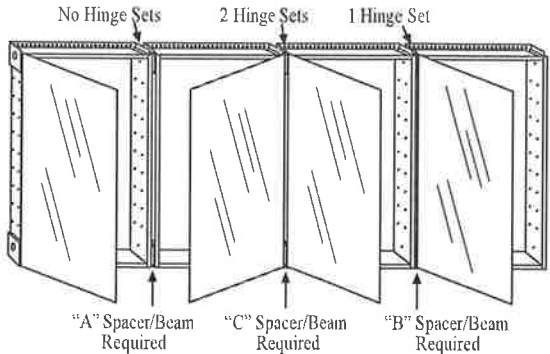
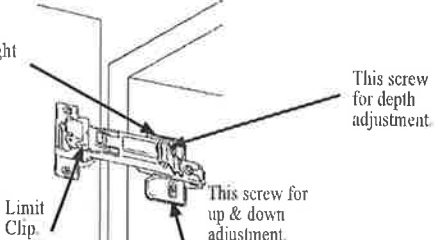
Surface applications will require use of this instruction sheet along with the instruction sheet provided with your cabinets and surface mount kits.

**IMPORTANT:** Only use the mounting screws provided with this kit.

Kit includes:  
"A", "B" and "C" size spacers \*  
25" and 35" Vinyl trim \*\*  
4 - 1 1/4" mounting screws



\* For surface mount application only  
\*\* May be cut to size as needed

<p><b>Fig. 1</b> 125 Degree Hinge</p>  <p><b>170 Degree Hinge</b></p> 	<p><b>Fig. 2</b></p> <p>Front View</p> 
<p><b>Fig. 3</b></p> <p>125 degree hinge</p> <p>This screw is for left &amp; right adjustment.</p>  <p>This screw for depth adjustment.</p> <p>This screw for up &amp; down adjustment.</p>	<p><b>Fig. 4</b> Framing for 2 cabinets</p>  <p>Framing for 3 or more cabinets</p>  <p>Center beams (per Figure 5)</p>
<p><b>Fig. 5</b> For 170 degree hinge</p>  <p>No Hinge Sets    2 Hinge Sets    1 Hinge Set</p> <p>"A" Spacer/Beam Required    "C" Spacer/Beam Required    "B" Spacer/Beam Required</p>	
<p><b>Note:</b> Framed cabinets are limited to bi-view applications.</p> <p><b>Fig. 6</b> 170 degree hinge</p>  <p>This screw is for left &amp; right adjustment.</p> <p>This screw for depth adjustment.</p> <p>Limit Clip</p> <p>This screw for up &amp; down adjustment.</p>	

**IMPORTANT:** Before proceeding to cabinet installation, identify the type of hinges your cabinets have. (See Figure 1)

## **125 DEGREE HINGE MODELS:**

### **FOR SURFACE MOUNTED UNITS:**

1. Using the hardware provided, install the first cabinet body according to the instructions provided with your surface mount kit.
2. Identify the spacers labeled "A". The expected gap between mirrors may be up to ¼".
3. Attach the two spacers to the surface mounted bracket as shown in Figure 2. Install the next cabinet so that its surface mounted bracket is tight against these spacers.
4. Continue this process until all desired cabinet bodies are installed. Then attach the doors.
5. Adjust the hinges as required to even out the gap between mirrors. See Figure 3.  
The expected gap between mirrors may be up to ¼".
6. Identify the black trim you will need (this kit comes with both 25" and 35" sizes); cut to size as needed.
7. Carefully peel the protective vinyl from the tape on the back of the trim and apply the trim to the face flanges of the adjacent cabinets covering the gap between the cabinets.
8. Install bumpers provided with the cabinets.
9. Apply side mirrors according to the installation instructions provided with the mirror kit(s.) Discard excess mirrors.

### **FOR RECESSED MOUNTED UNITS:**

**CAUTION:** If cutting out an opening, be sure to consider wiring and pipes that may be inside the wall.

1. Construct framing per Figure 4. The center beam must be 1 3/8" per Figure 4.
2. If necessary, add additional support beams. NOTE: Beams are not provided.
3. Using the hardware supplied in this kit and according to the instructions provided with the cabinets you purchased, screw one side of the body to the first beam.
4. Install the beam so that it is tight against the existing body. Screw existing body to installed beam.
5. Repeat steps 1 to 4 above until all desired cabinet bodies are installed. Then attach the door(s). See Figure 3
6. Adjust the hinges as required to even out the gap between mirrors. See Figure 3.  
The expected gap between mirrors may be up to ¼".
7. Identify the black trim you will need (this kit comes with both 25" and 35" sizes); cut to size as needed.
8. Carefully peel the protective vinyl from the tape on the back of the trim and apply the trim to the face flanges of the adjacent cabinets covering the gap between the cabinets.
9. Install the bumpers provided with the cabinets.

## **170 DEGREE HINGE MODELS:**

These units require different spacers/beams depending on how many hinges are on each side. See Figure 5.  
The spacers are marked "A", "B", and "C" to correspond to the door swing configuration desired.

### **FOR SURFACE MOUNTED UNITS:**

1. Using the hardware provided, install the first cabinet body according to the instructions provided with your surface mount kit.
2. Identify the spacers labeled "A", "B", and "C" according to Figure 5.
3. Attach the two spacers to the surface mounted bracket as shown in Figure 2. Install the next cabinet so that its surface mounted bracket is tight against these spacers.
4. Continue this process until all desired cabinet bodies are installed. Then, attach the doors.
5. Adjust the hinges as required to even out the gap between mirrors. See Figure 6.  
The expected gap between mirrors may be up to ¼".
6. Identify the black trim you will need (this kit comes with both 25" and 35" sizes); cut to size as needed.
7. Carefully peel the protective vinyl from the tape on the back of the trim and apply the trim to the face flanges of the adjacent cabinets covering the gap between the cabinets.
8. Install bumpers provided with the cabinets.
9. Apply side mirrors according to the installation instructions provided with the mirror kit (s.) Discard excess mirrors.

### **FOR RECESSED MOUNTED UNITS:**

**CAUTION:** If cutting out an opening, be sure to consider wiring and pipes that may be inside the wall.

1. Refer to Figure 4 for general framing layout.  
**IMPORTANT (Consult Figure 5 to identify beam required):**  
The center beam must be the following dimensions:
  - "A" Beam = 1-7/16" (for use when NO HINGES are on cabinet sides).
  - "B" Beam = 1-5/16" (for use when ONE SET OF HINGES are on cabinet sides).
  - "C" Beam = 1-3/16" (for use when BOTH SET OF HINGES are on cabinet sides).
2. If necessary, add additional support beams. NOTE: Beams are not provided.
3. Using the hardware supplied in this kit and according to the instructions provided with the cabinets you purchased, screw one side of the body to the first beam.
4. Install the beam so that it is tight against the existing body. Screw existing body to installed beam.
5. Repeat steps 1 to 4 above until all desired cabinet bodies are installed. Then attach the door(s). See Figure 6
6. Adjust the hinges as required to even out the gap between mirrors. See Figure 6.  
The expected gap between mirrors may be up to ¼".
7. Identify the black trim you will need (this kit comes with both 25" and 35" sizes); cut to size as needed.
8. Carefully peel the protective vinyl from the tape on the back of the trim and apply the trim to the face flanges of the adjacent cabinets covering the gap between the cabinets.
9. Install bumpers provided with the cabinets.